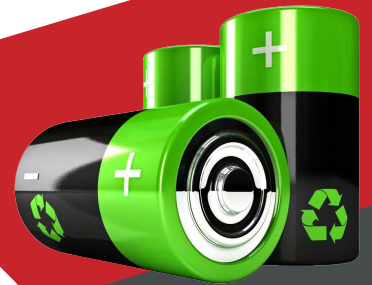


SPT299-E



HENAN SPT MACHINERY
EQUIPMENT CO., LTD.

Mini Crawler Crane (Spider Crane)

SPT Brand Spider Crane - Benchmarking
the World's Highest Standard

Intelligent, safe and more durable

SPT299-E



Max lifting height 9.5m

Working radius 8.83m



Capacity 2.95t×1.4m

Weight 2350kg

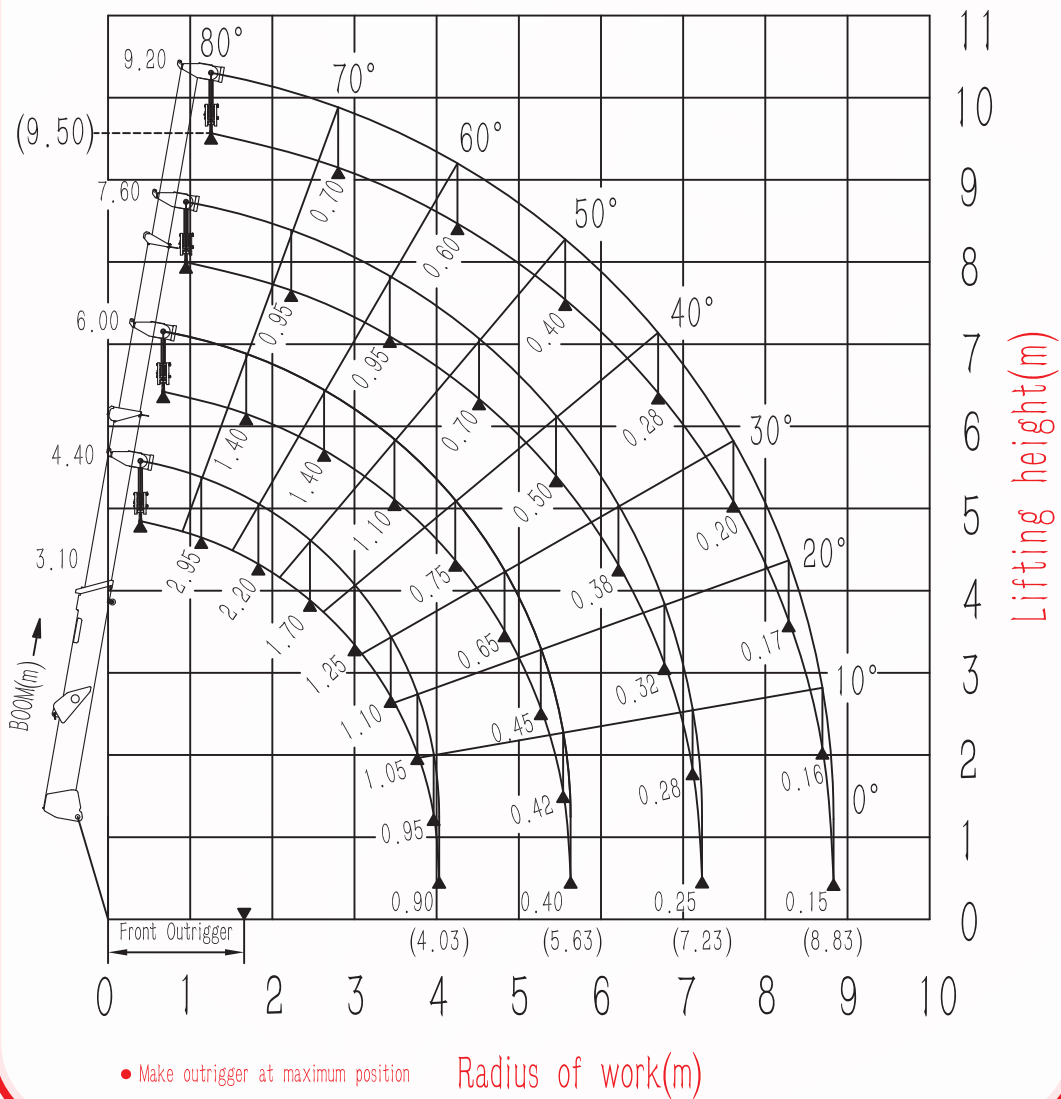
SPT299-E



Working Range Diagram Without Fly Jib

SPT299-E Working Range Diagram

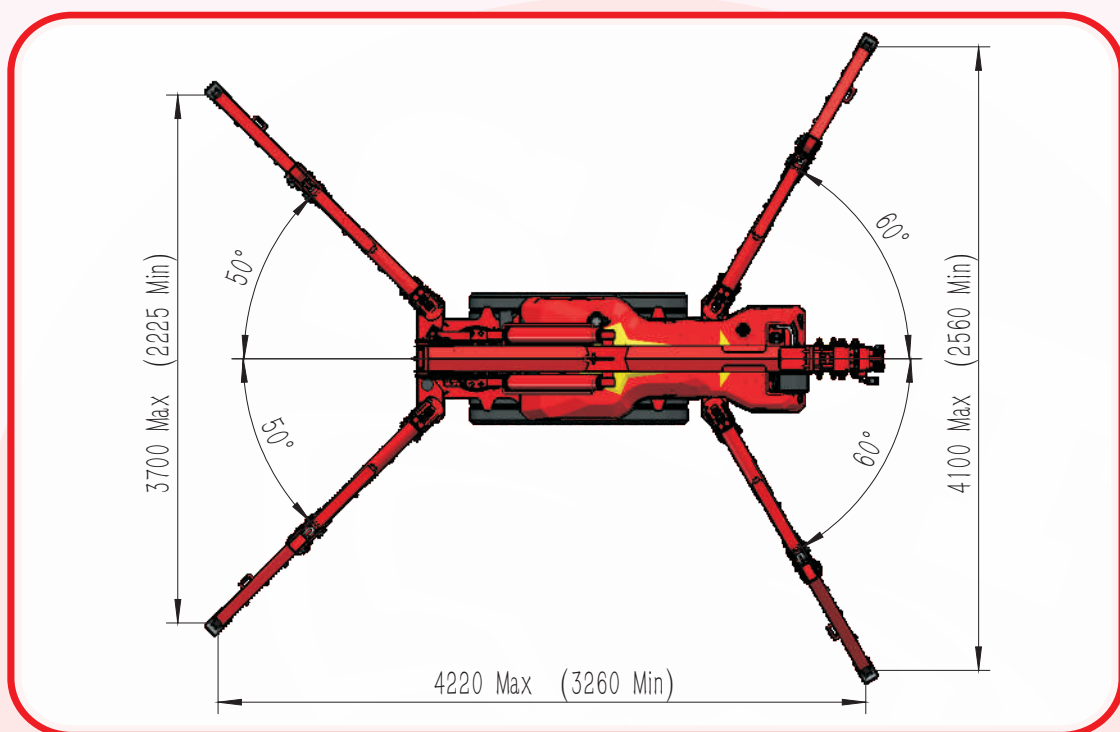
Weight: T



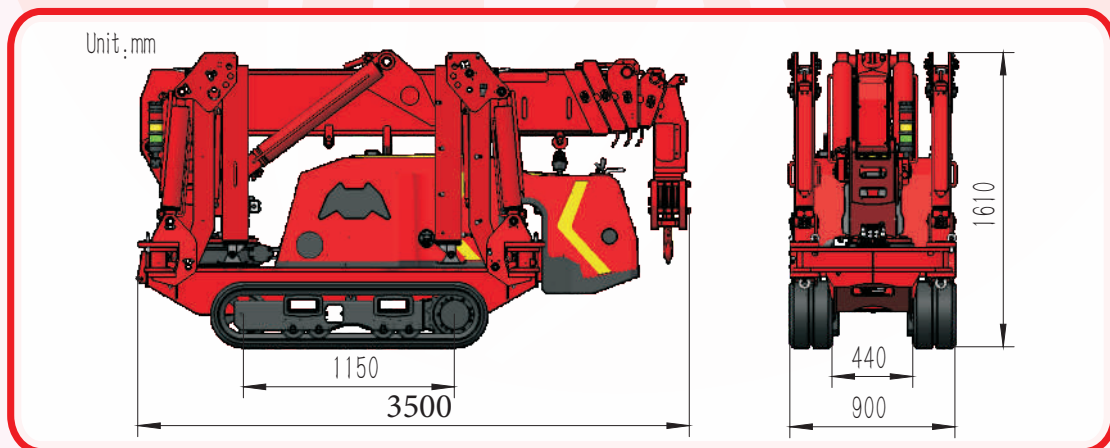
SPT299-E



Outrigger Footprints



Dimensions



SPT299-E



Specifications

Model	SPT299-E	
Capacity	2.95t × 1.4m	
Working radius	8.83m × 0.15t	
Ground lifting height	9.50m × 0.70t	
Underground lifting height	10m-4 fall 20m-2 fall 40m-1 fall	
Winch device	Hook speed	0-8m/min (4 fall)
	Rope type	Φ8mm × 45m
Telescopic system	Boom form	5 section boom, hexagonal box construction
	Boom length/Time	3.1m-9.2m/20sec
Up and downs	Boom angle/Time	0-80° /13sec
Slew system	Slew angle/Speed	0-360° (continuous) /60sec
Outrigger	Outrigger active form	Manual + Hydraulic
	Maximum extended dimensions (mm)	4220 (Length) X3700 (Front) X4100 (Back)
Traction system	Walking way	Hydraulic motor drive、 2 speed
	Walking speed	0-2.5km/h
	Grade ability	20° (36%)
	Ground length × width	1150mm × 230 mm
	Ground pressure	42kpa (0.43kgf/cm ²)
Battery system	Type	lithium titanate battey
	Battery voltage	48V
	Battery capacity	225 Ah
	Walking Endurance	2h
	Work Endurance	7.2h (According to usage)
	Work under charging	Support
	Charging time	Normal: 9.5 hours; Fast charge: 2 hours
Operate system	Motor Power	8KW
	Type of operation	Wireless remote control and manual operation
	Operating characteristic	Full proportional control
Dimension	Length × Width × Height	3500mm × 900mm × 1610mm
Weight	(Without optional equipment)	2550kg
Standard configuration	Full battery power , Radio remote control, Searcher hook, Black rubber track, Intelligent display screen, Moment limiter, Over hoist alarm and automatic stop device, Three-winding alarm and automatic stop device, Automatic hook stow, Outrigger position detector device, Outrigger off the ground alarm and automatic stop device, Slings rope detachment protector, EMO switch, Three color lamp, Remote control lamp, Voice prompt, Walking/Outrigger/Boom three-mode interlock system, Data records	
Optional configuration	Glass suction, White rubber track, Manual fly jib, Hydraulic fly jib, Single-man basket, Outrigger pads, Fast charger	

SPT299-E



■ Total rated load Outriggers at Maximum position(4fall)

3.10/4.40boom		6.00boom		7.60boom		9.20boom	
Working radius (m)	Total ratedload (t)	Working radius (m)	Total ratedload (t)	Working radius (m)	Total ratedload (t)	Working radius (m)	Total ratedload (t)
< 1.40	2.95	< 2.80	1.40	< 3.50	0.95	< 4.00	0.70
1.50	2.80	3.00	1.30	4.00	0.80	4.50	0.60
2.00	2.10	3.50	1.10	4.50	0.70	5.00	0.50
2.50	1.70	4.00	0.85	5.00	0.55	5.50	0.40
3.00	1.30	4.50	0.70	5.50	0.50	6.00	0.35
3.50	1.10	5.00	0.55	6.00	0.40	6.50	0.30
4.03	0.90	5.63	0.40	6.50	0.35	7.00	0.25
				7.23	0.25	7.50	0.20
						8.00	0.20
						8.83	0.15